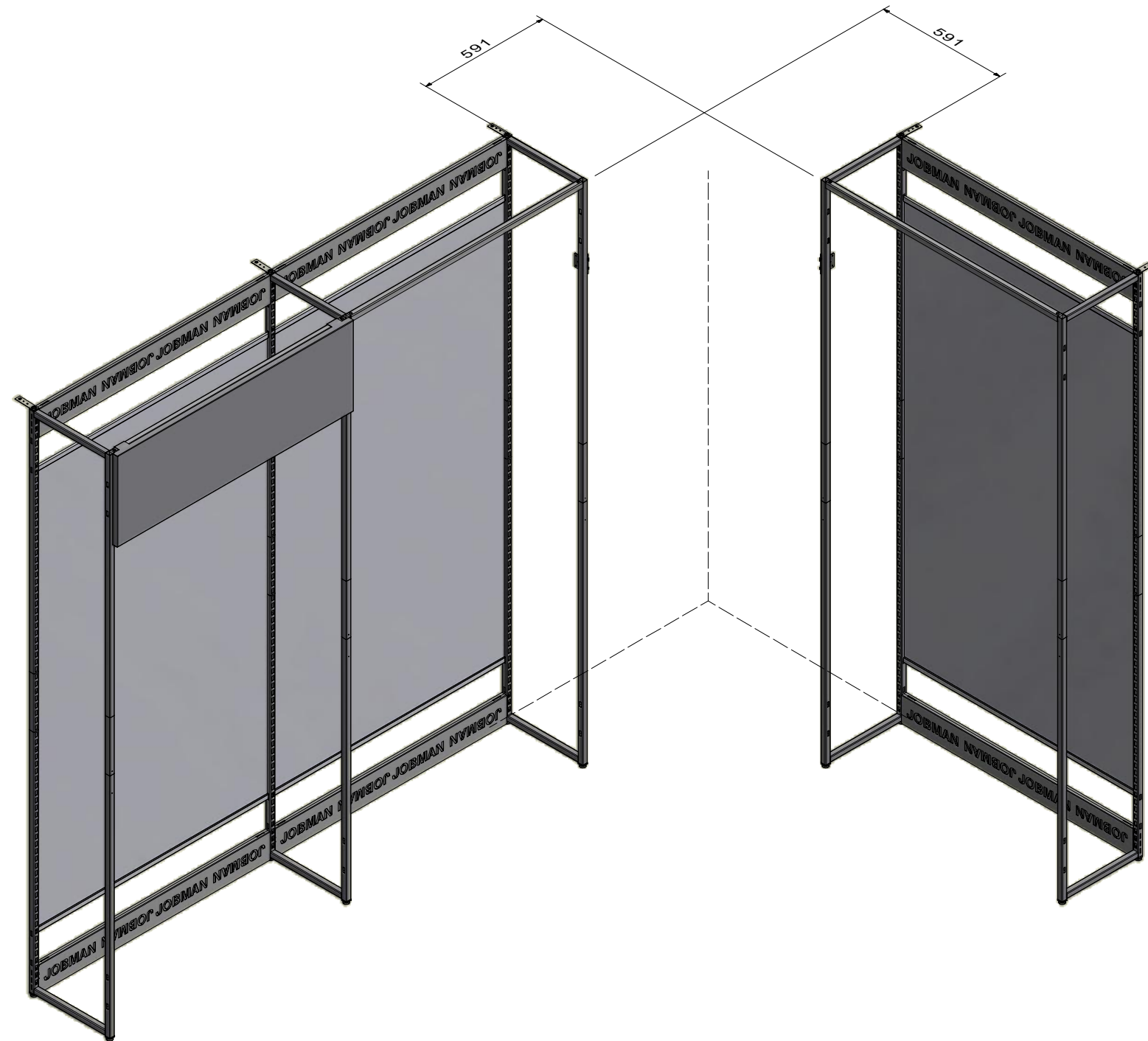
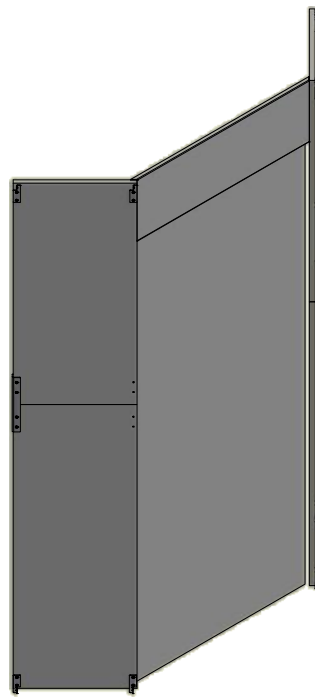


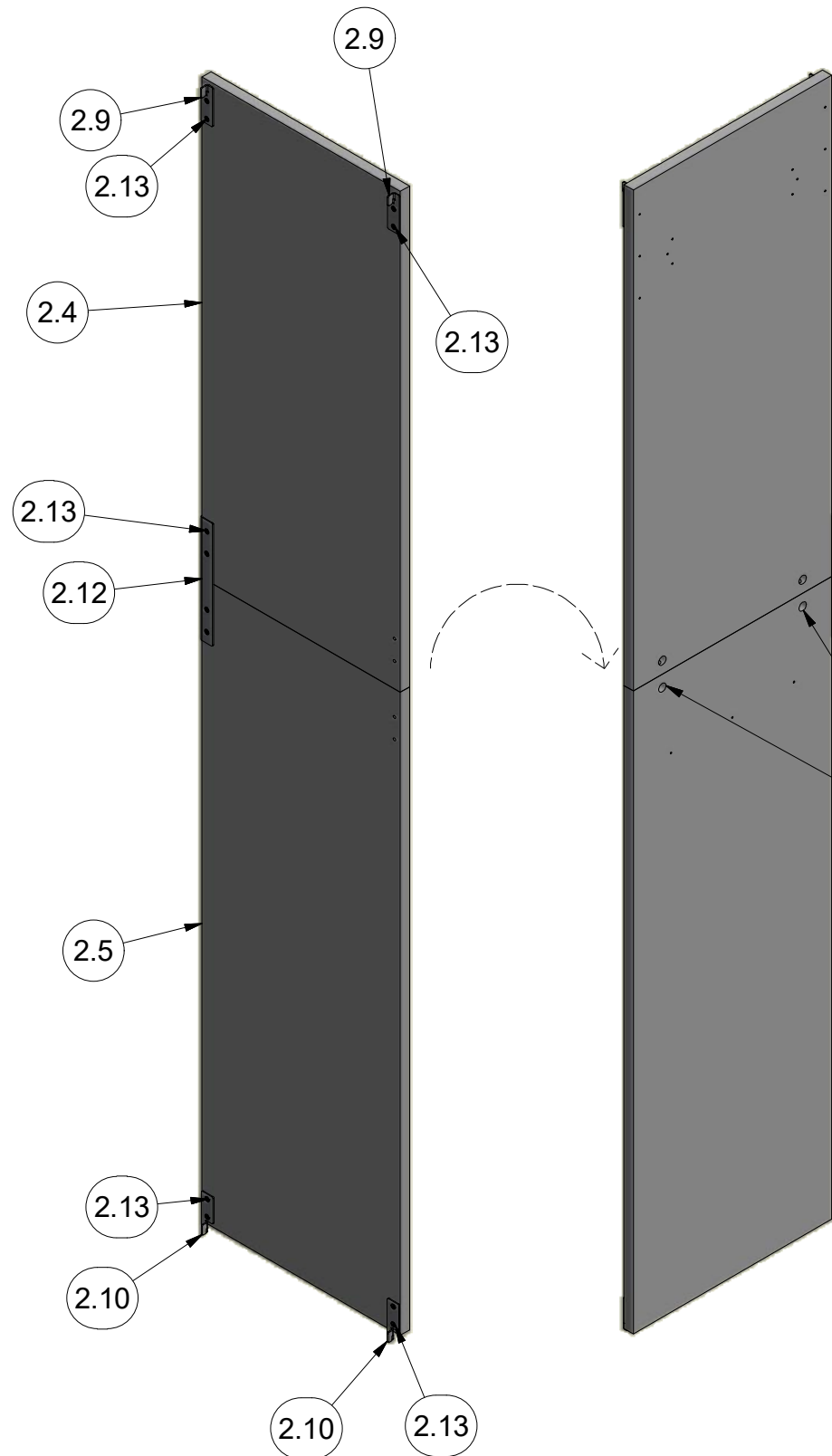
## 274663 - Fitting room corner

# 1 - Set up

Parts List			
NO.	QTY	DRAW. NO.	DESCRIPTION
2.1	1	274664	Top sign fitting room corner
2.2	1	274666	Hanging rail fitting room
2.4	2	274672	Top side fitting room
2.5	2	274674	Bottom side Fitting room
2.6	1	274774	Curtain Fitting Room
2.7	15	930043	Wood screw 3,5X16 Black
2.8	1	930044	Bag of connecting fittings
2.9	4	274885	Top hook
2.10	4	274883	Bottom hook
2.11	2	276367	Tube holder
2.12	2	276453	corner support
2.13	24	901196	Eurocrew countersunk 6,3x11,5
2.14	1	831201	Tube 824mm
2.15	2	274668	Bracket for tube holder

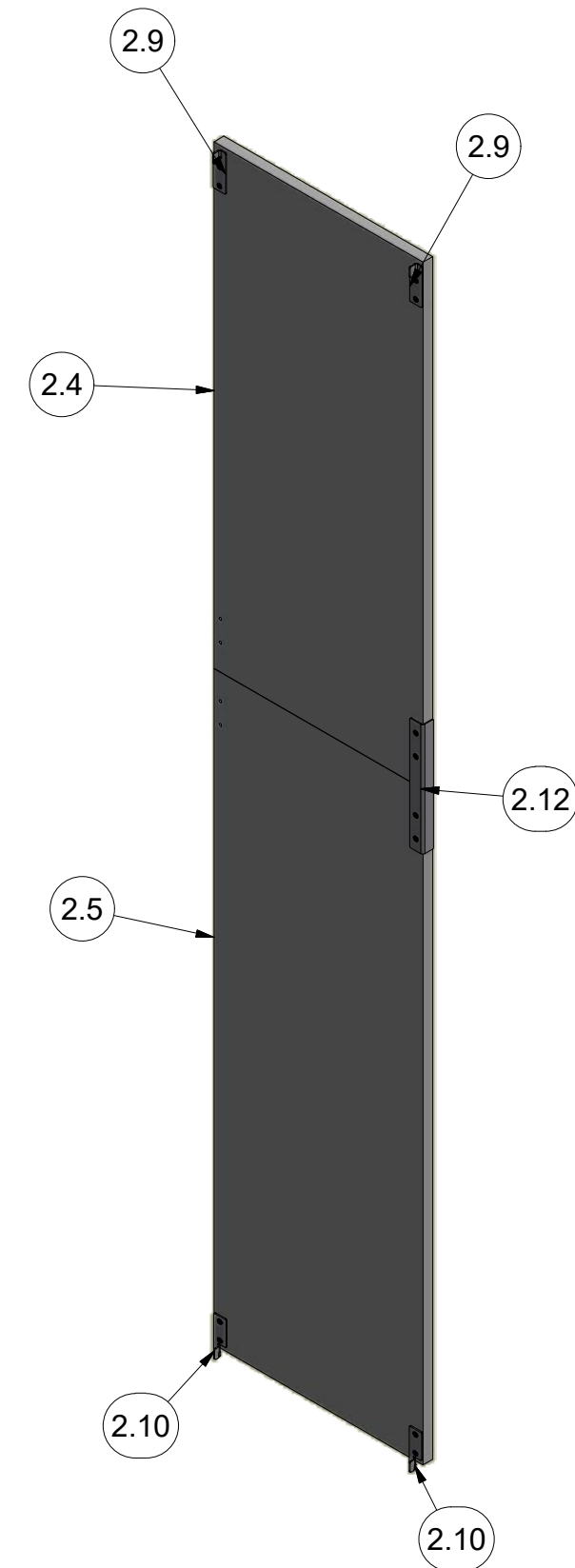


## 2 - Left side



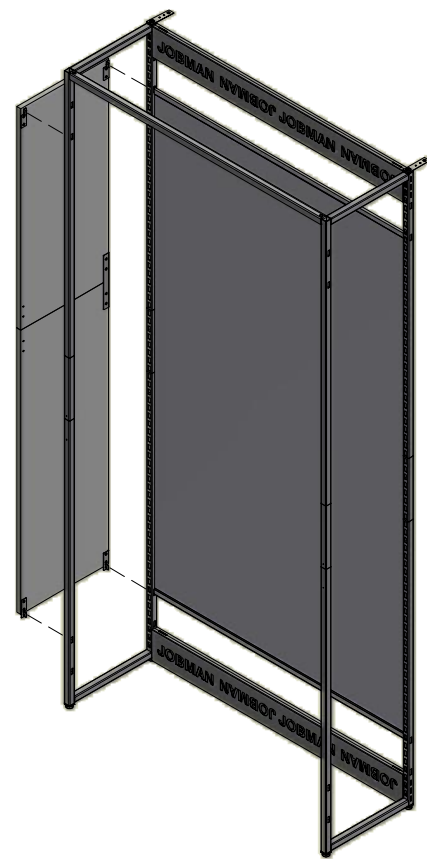
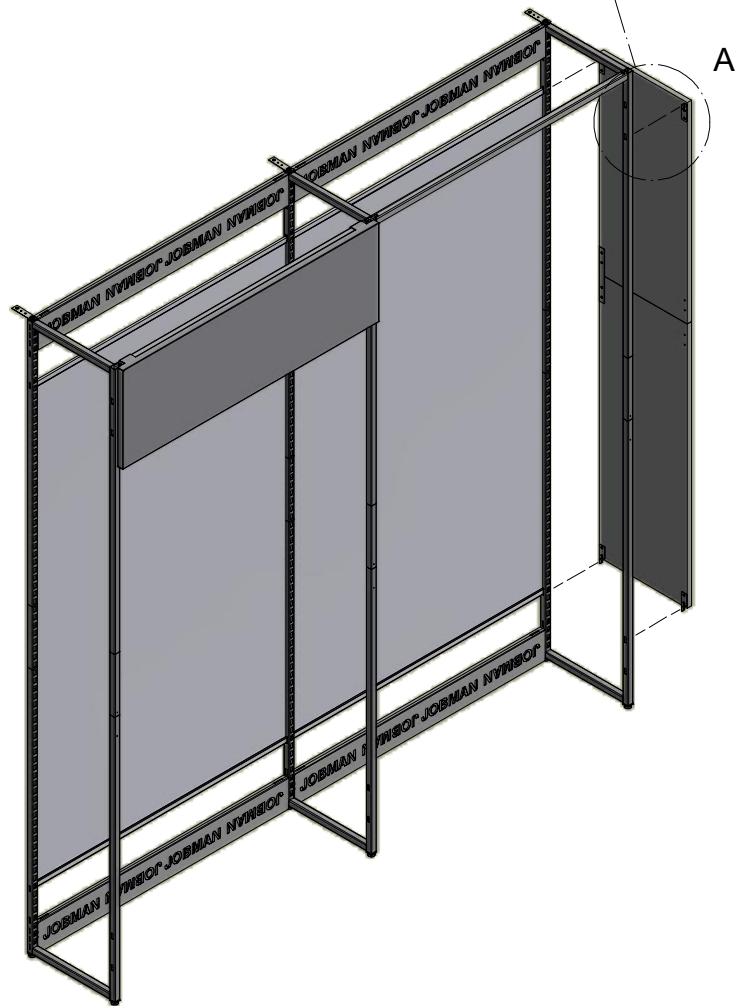
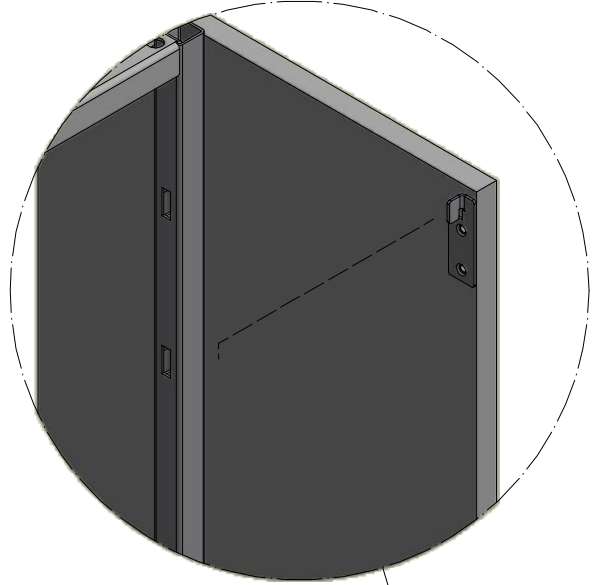
Use the connection fittings to assemble the boards

## 3 - Right side

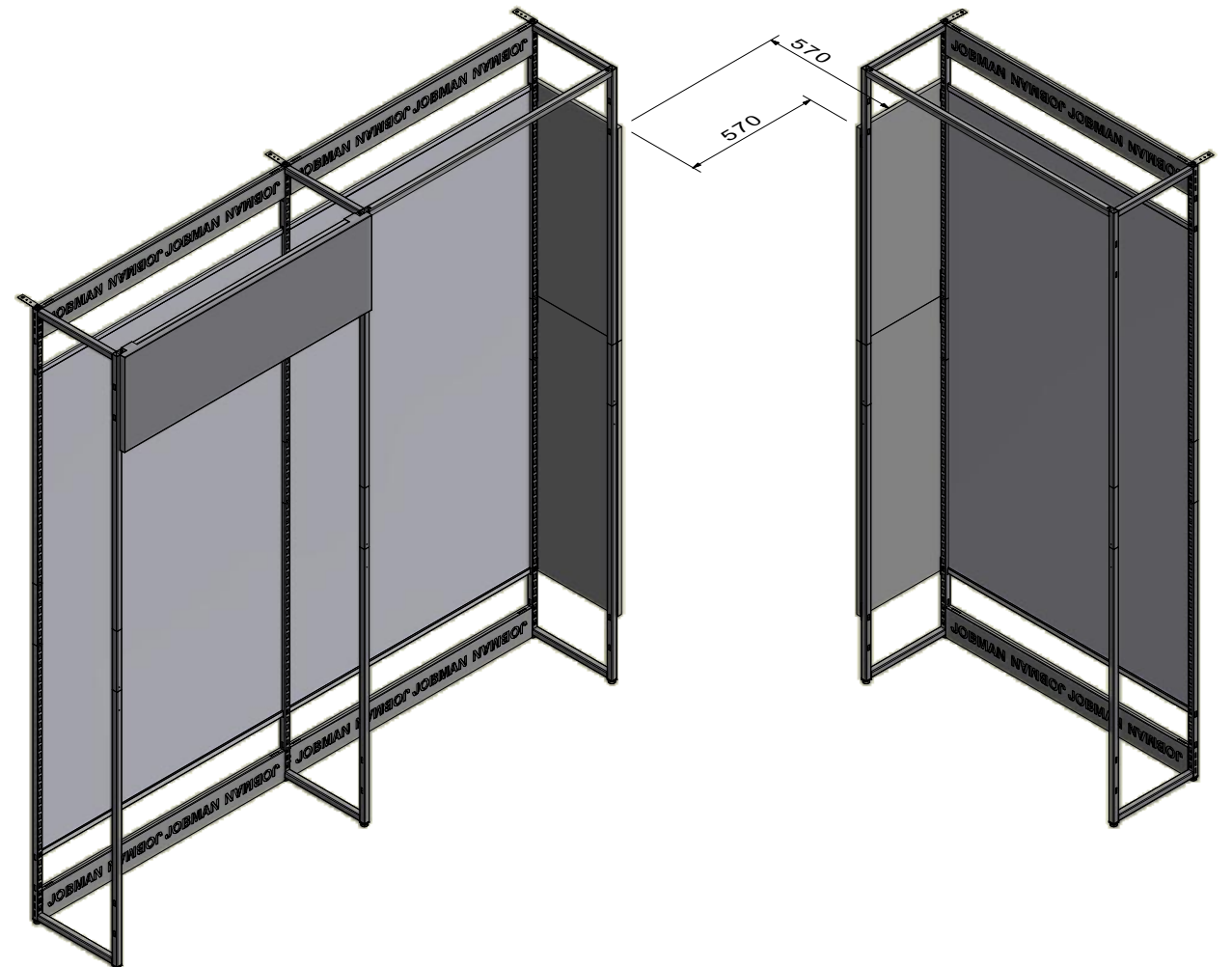


4

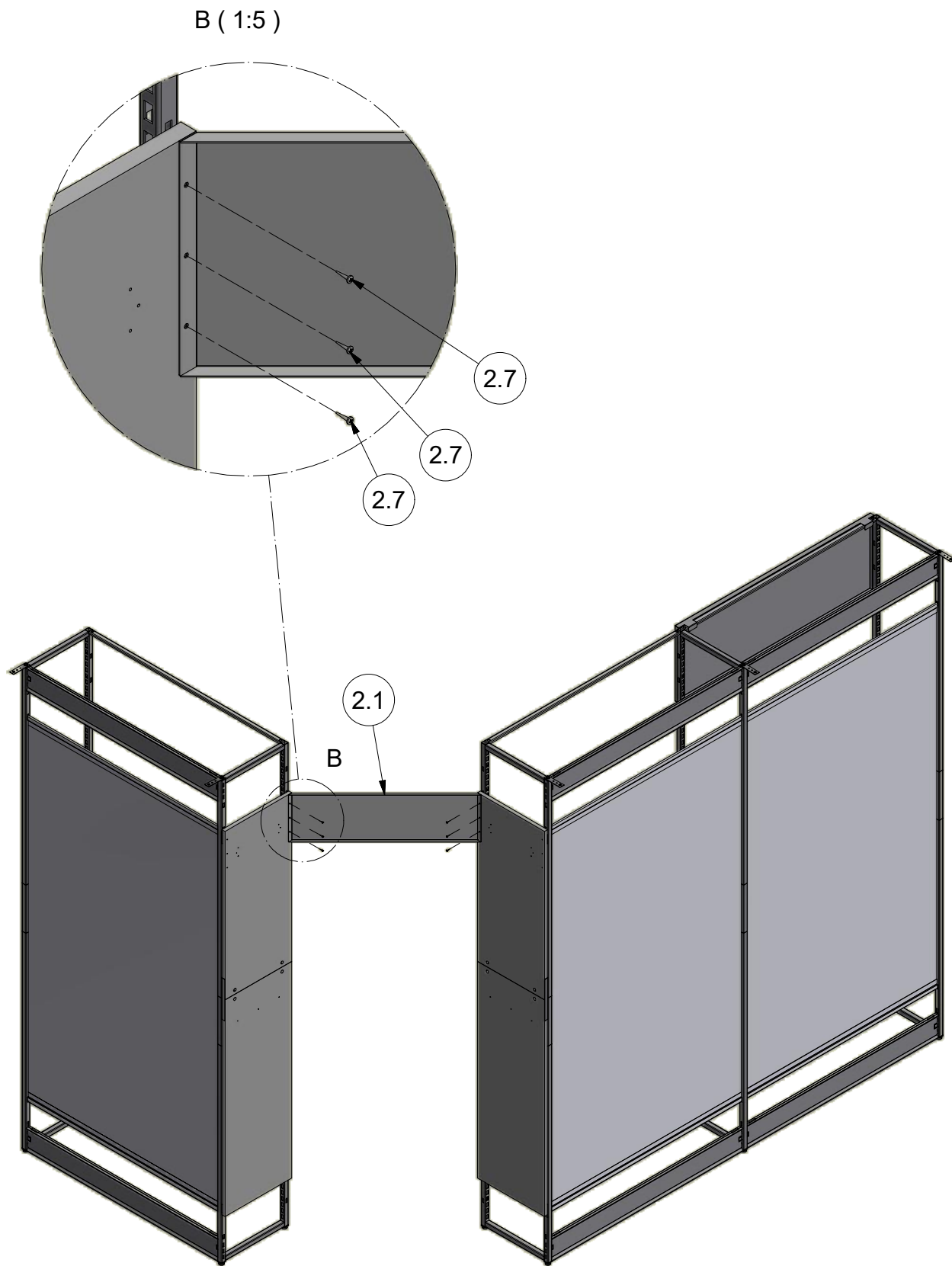
A (1:5)



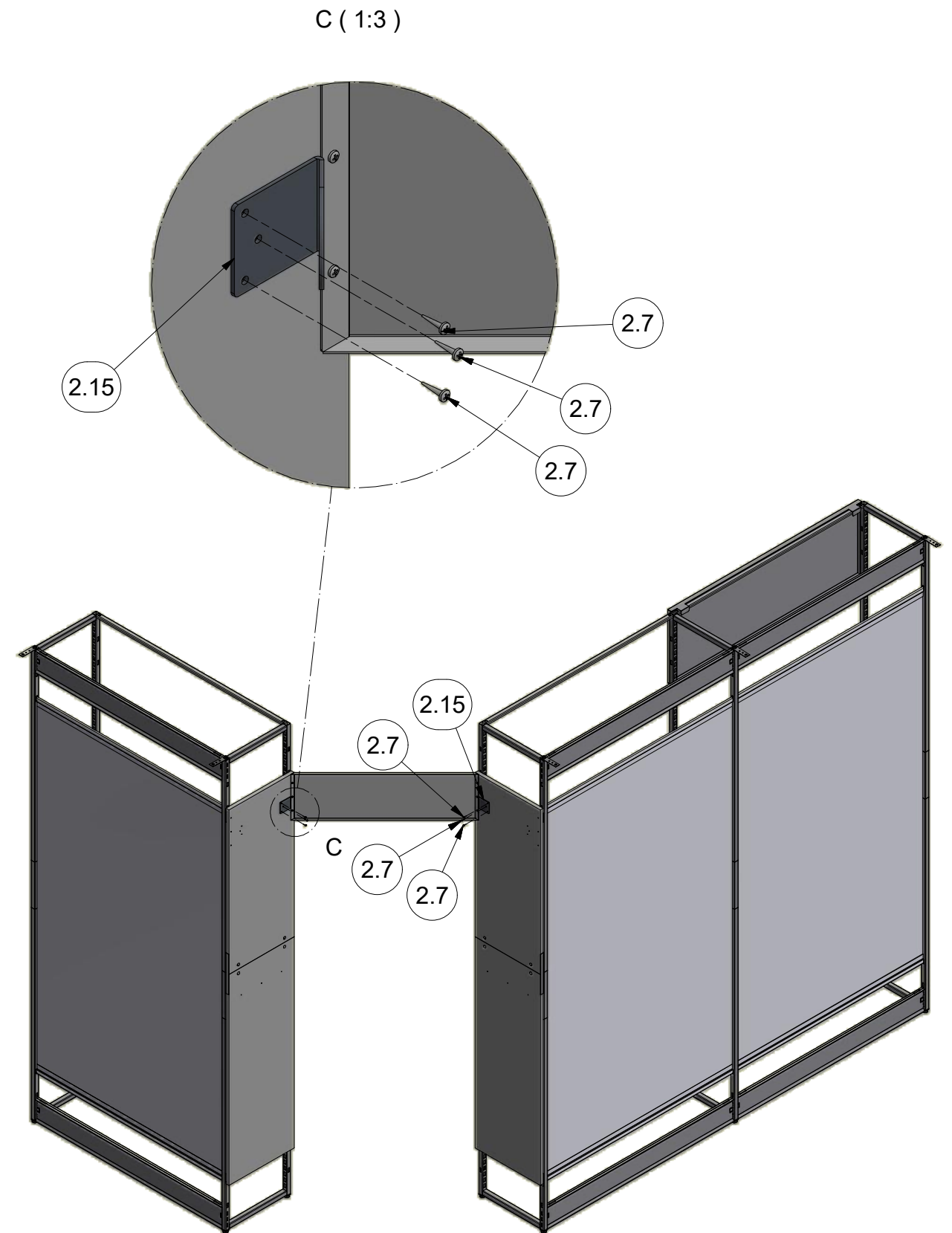
5



6

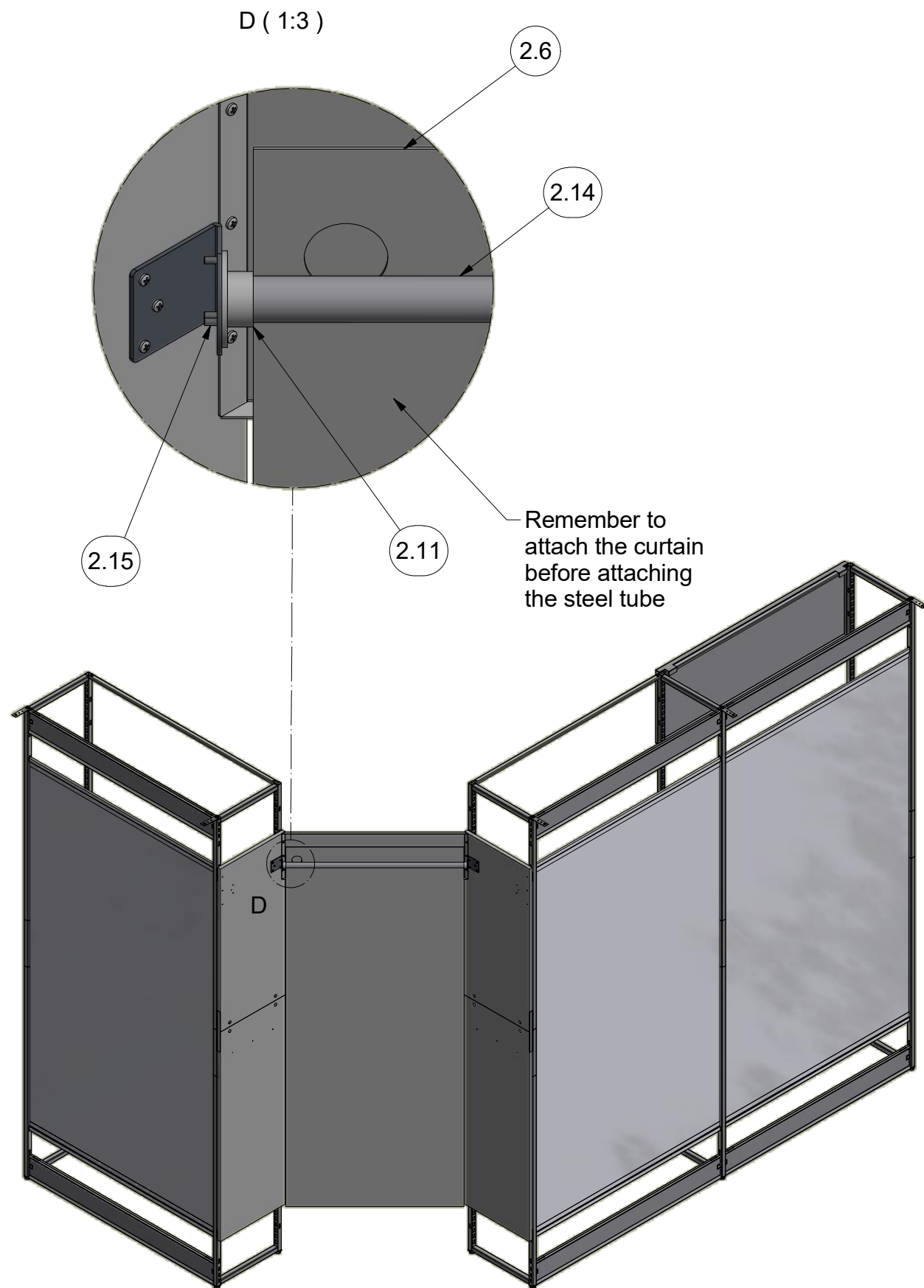


7





8



9

