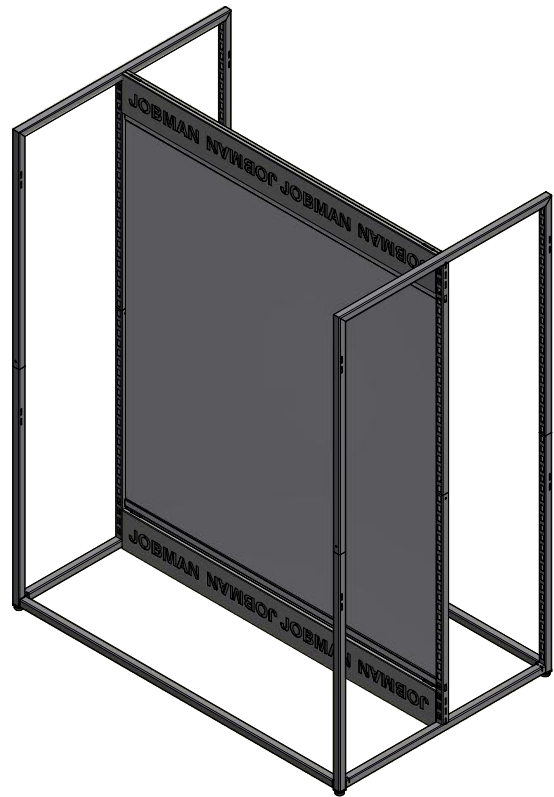
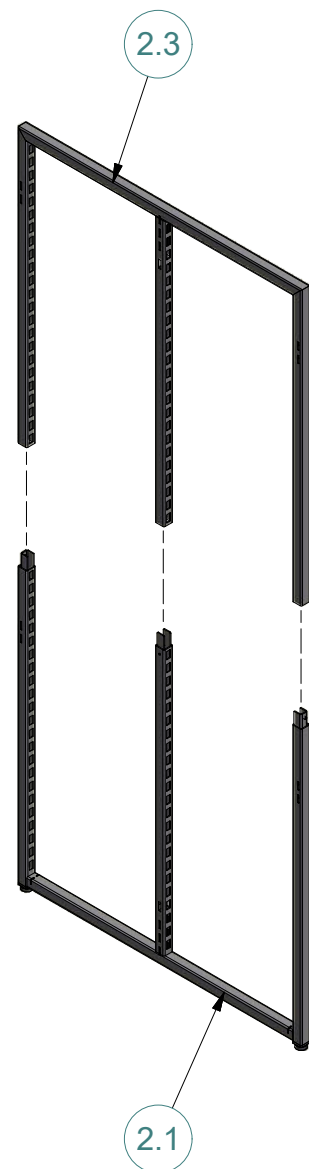


274700 - Floor section start

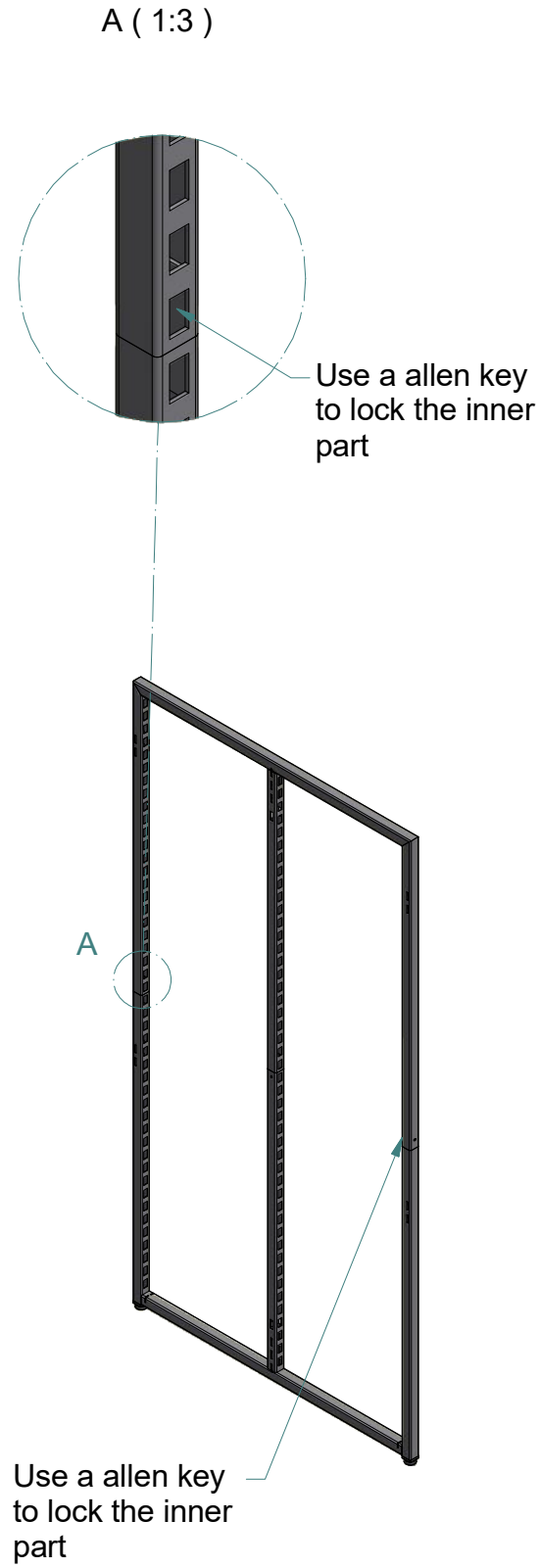
Parts List			
NO.	QTY	DRAW. NO.	DESCRIPTION
1	1	274722	Banner 1200
2	1	274936	Floor section start Metal
2.1	2	274685	Bottom half gondola side with adjustable feet
2.2	2	274692	Bottom front crossbar
2.3	2	274684	Top half gondola side
2.4	2	274387	Crossbar 1200
2.5	4	274391	Brand sign 1200
2.6	2	274542	Metal bracket 1200



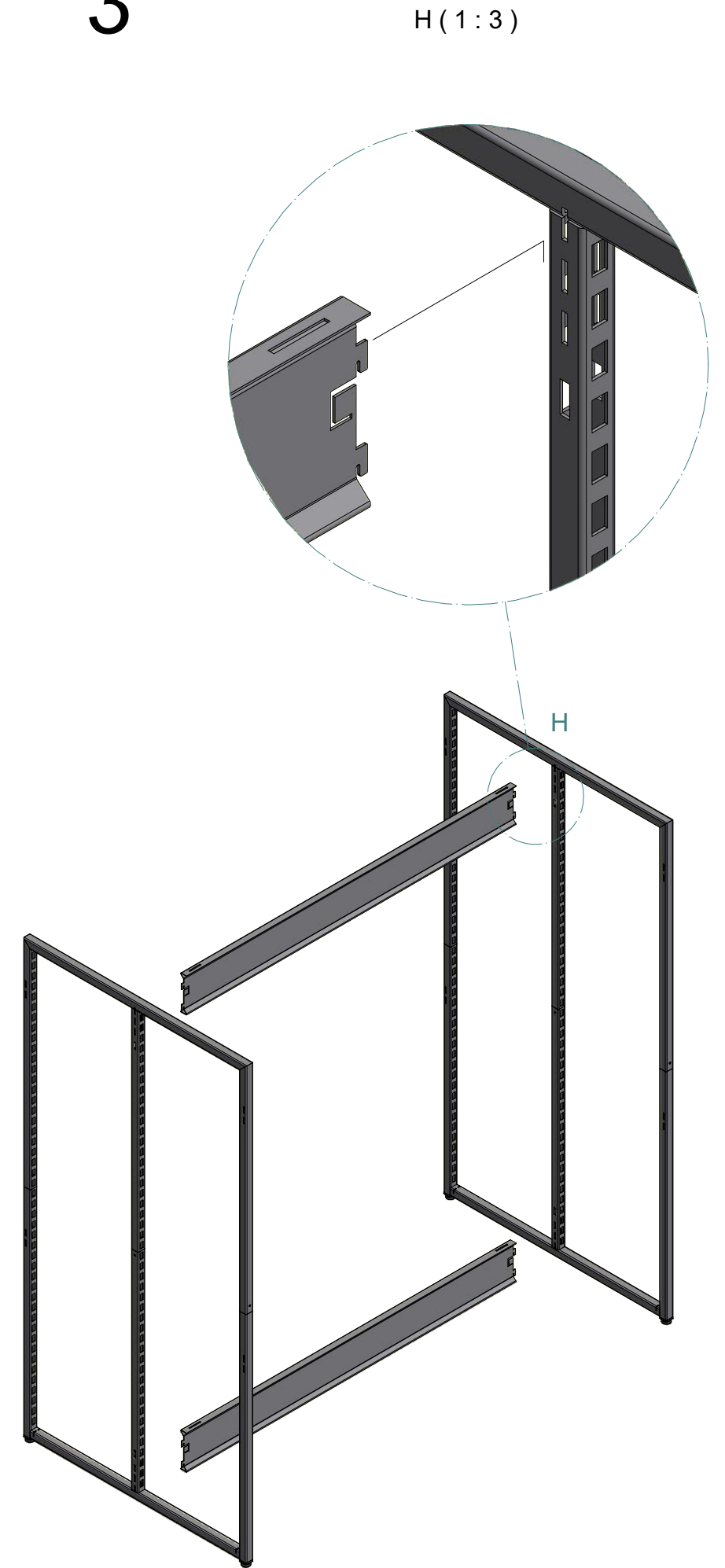
1



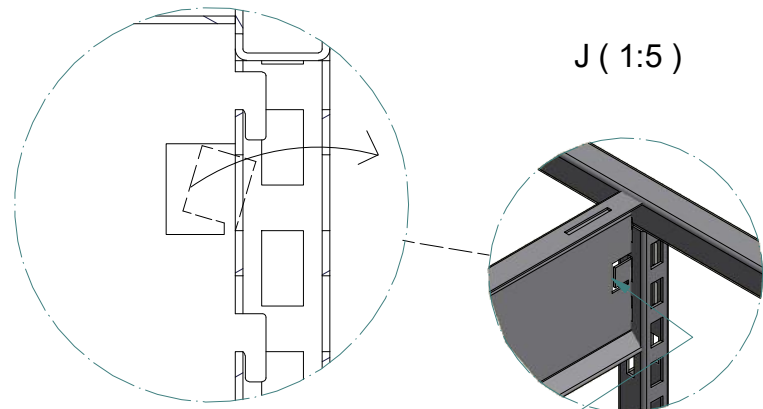
2



3



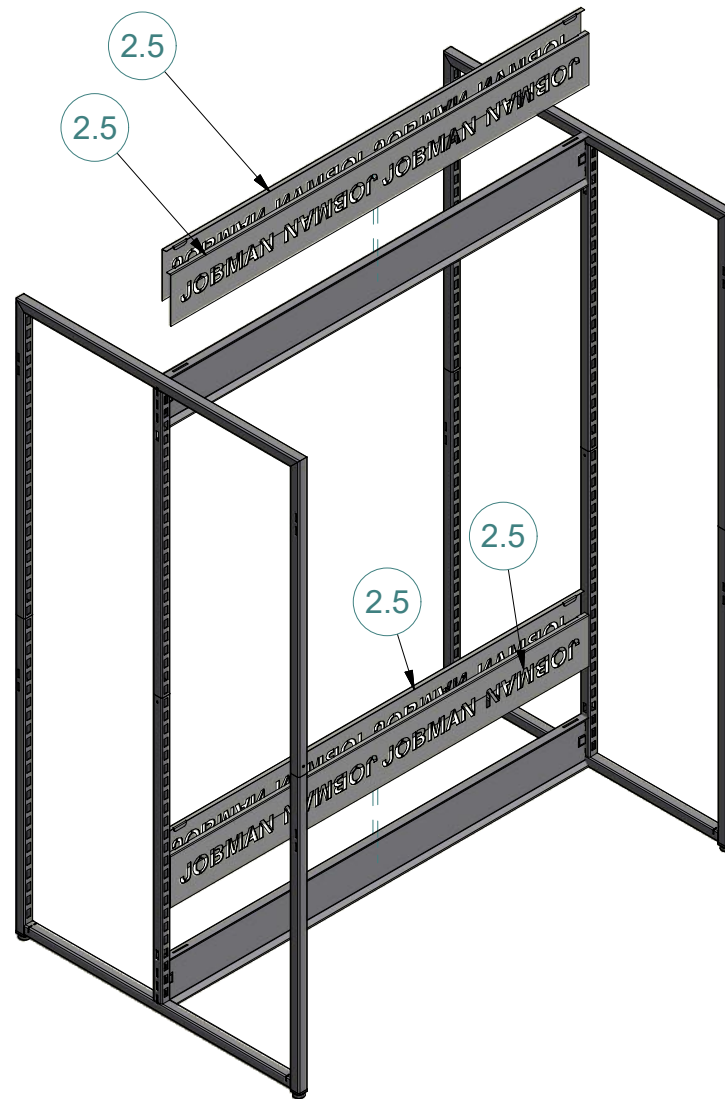
4



Use a flat screwdriver to bend this part into the track in the steel tube to lock the sheet metal part

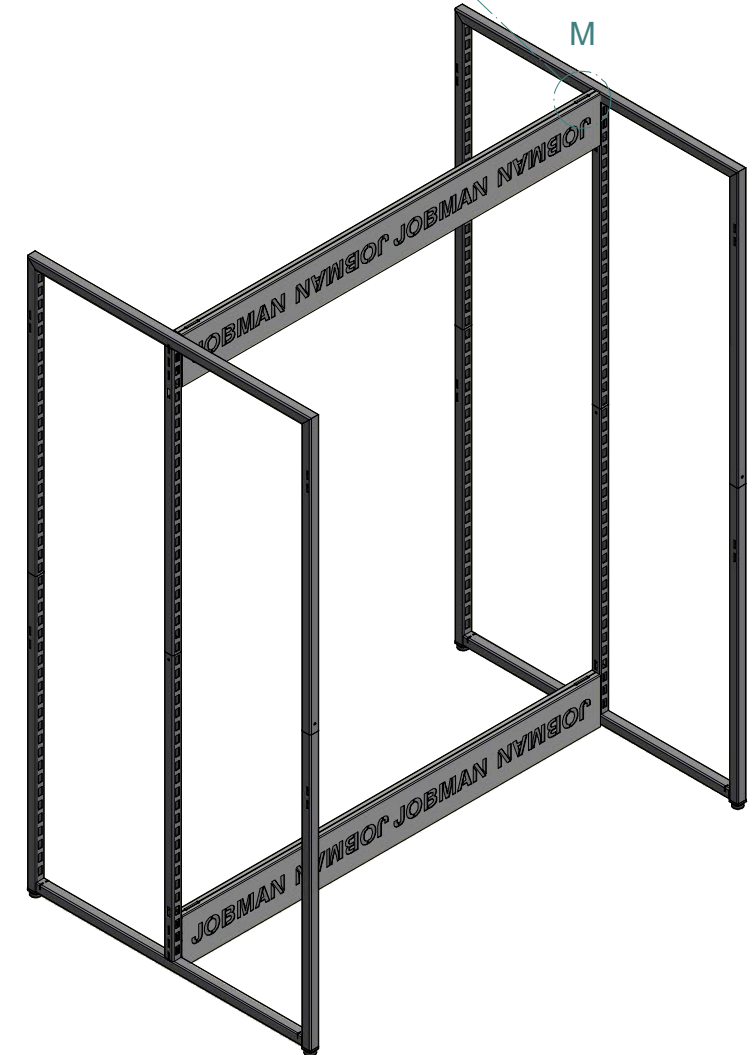
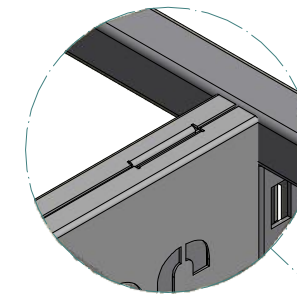


5



6

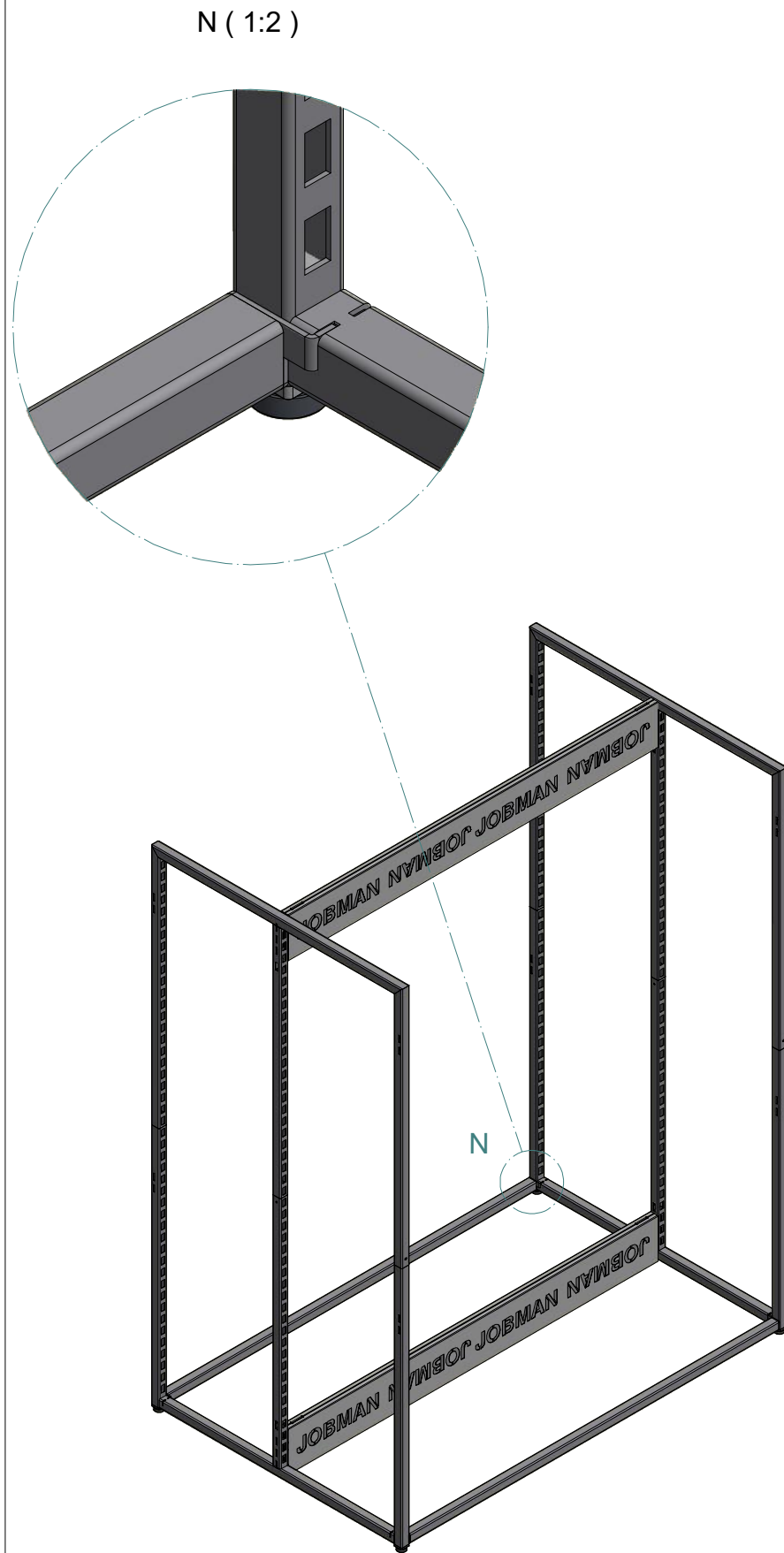
M (1:3)



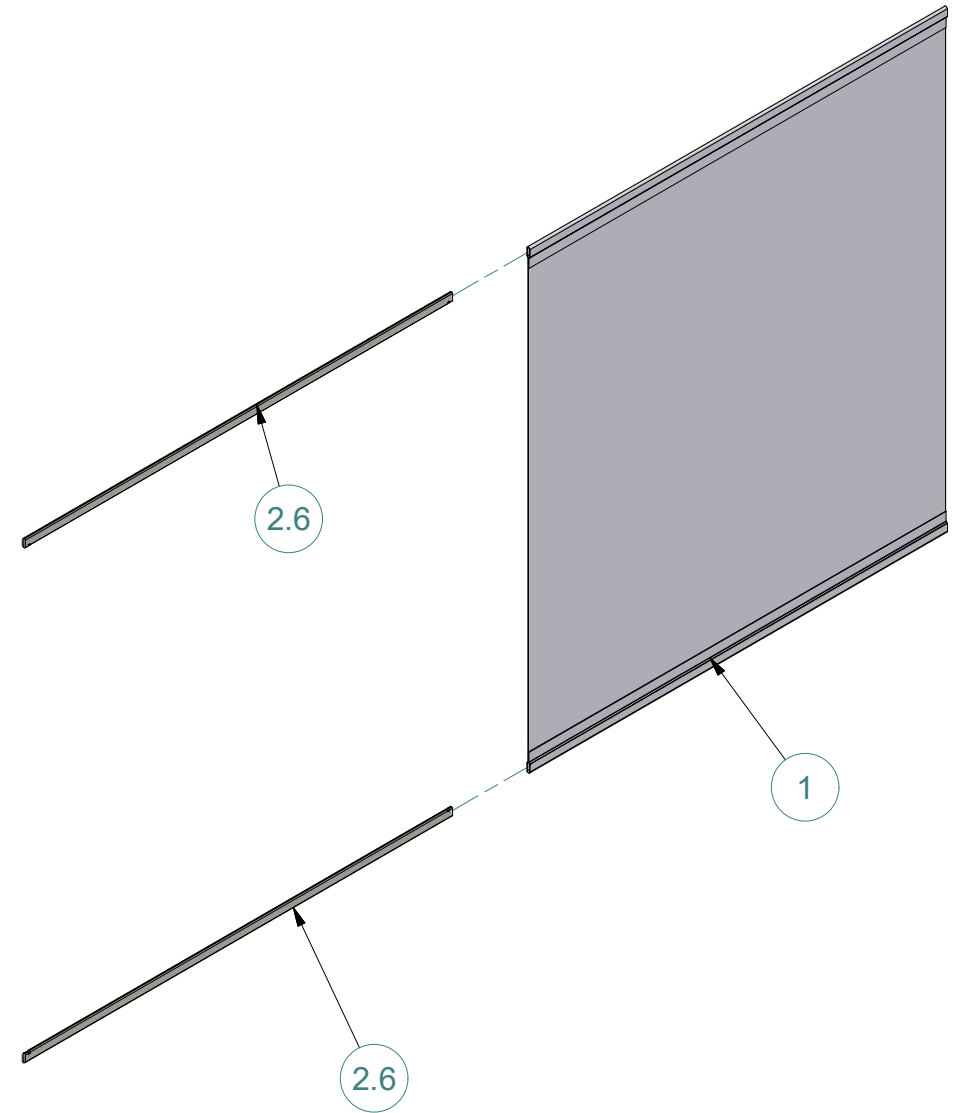
7



8

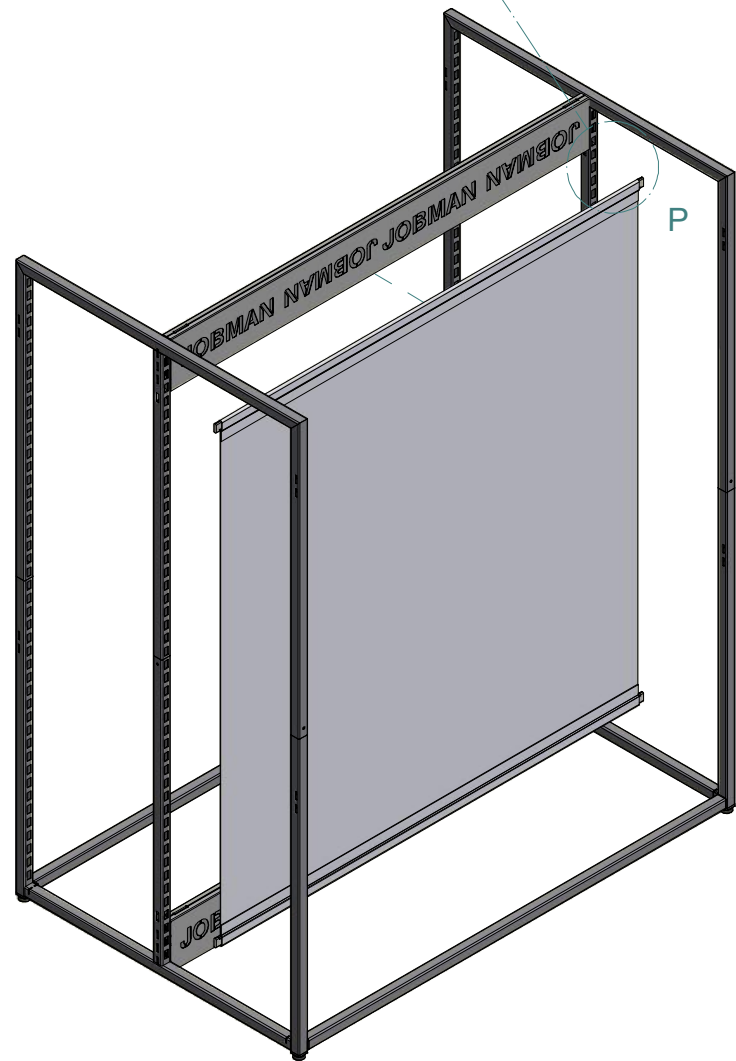
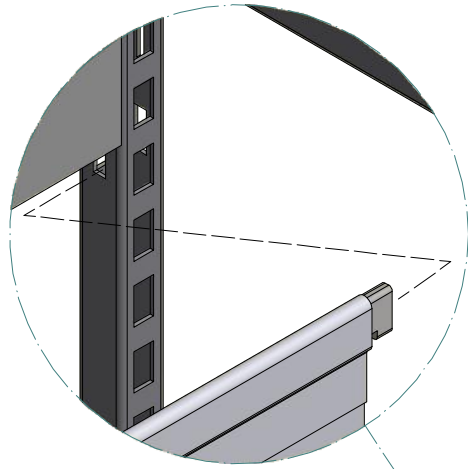


9



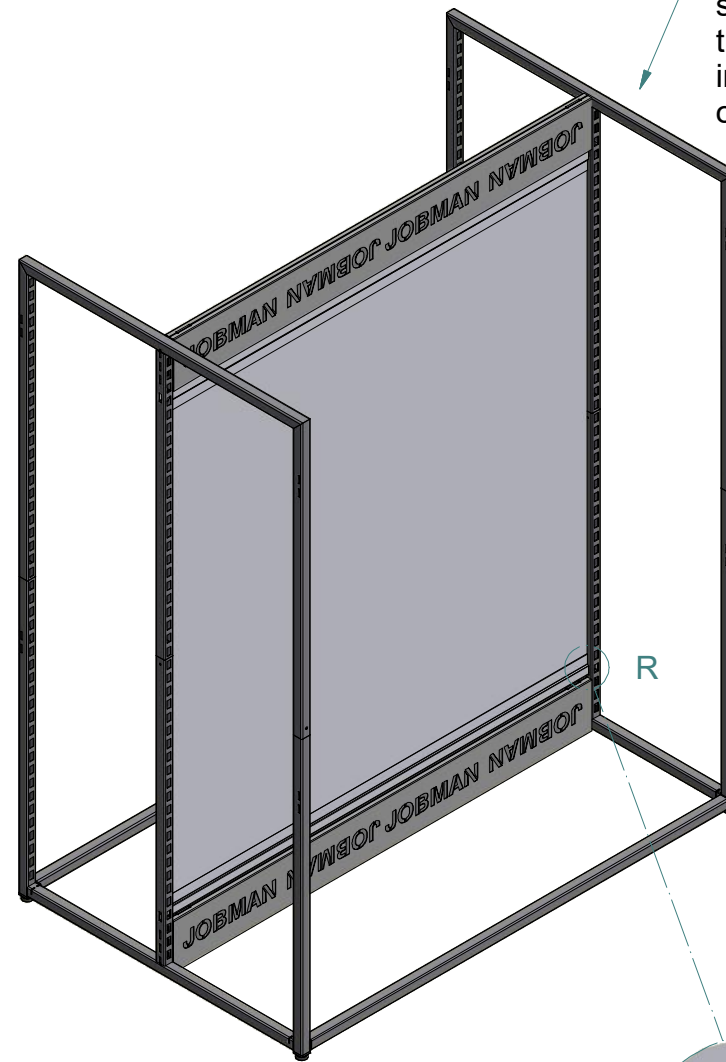
10

P (1:3)

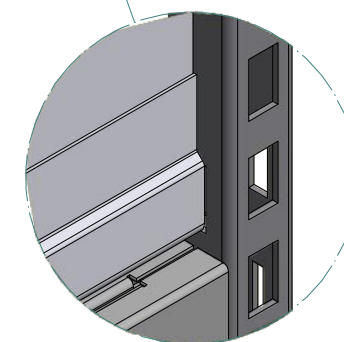


11

To build more sections use the same assembly instructions. Just add on to the first section



R (1:2)



274875 - Floor section following

Parts List			
NO.	QTY	DRAW. NO.	DESCRIPTION
1	1	274722	Banner 1200
2	1	274937	Floor section following Metal
2.1	1	274685	Bottom half gondola side with adjustable feet
2.2	2	274692	Bottom front cerosbar
2.3	1	274684	Top half gondola side
2.4	2	274387	Crossbar 1200
2.5	4	274391	Brand sign 1200
2.6	2	274542	Metal bracket 1200

