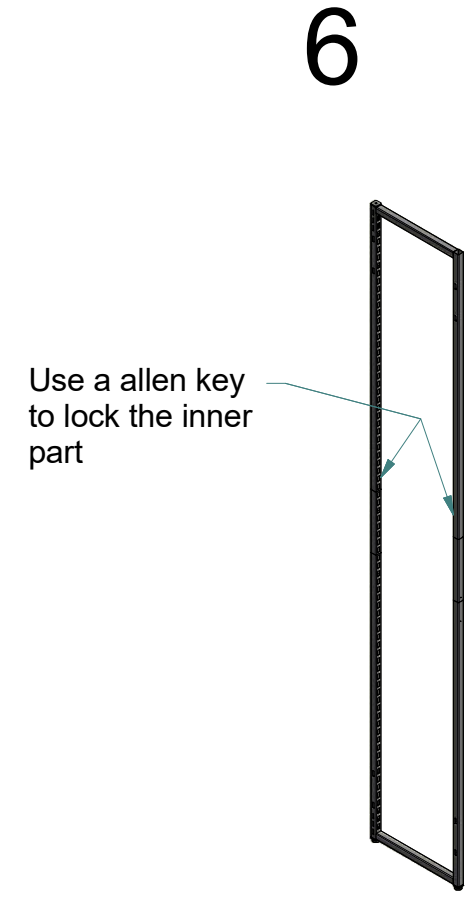
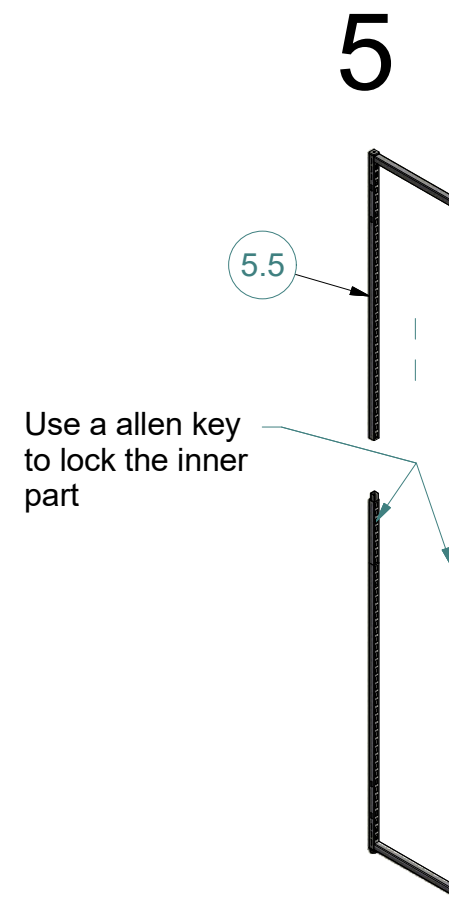
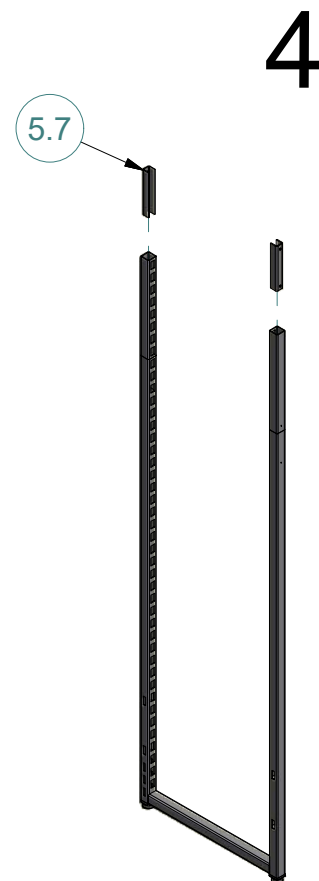
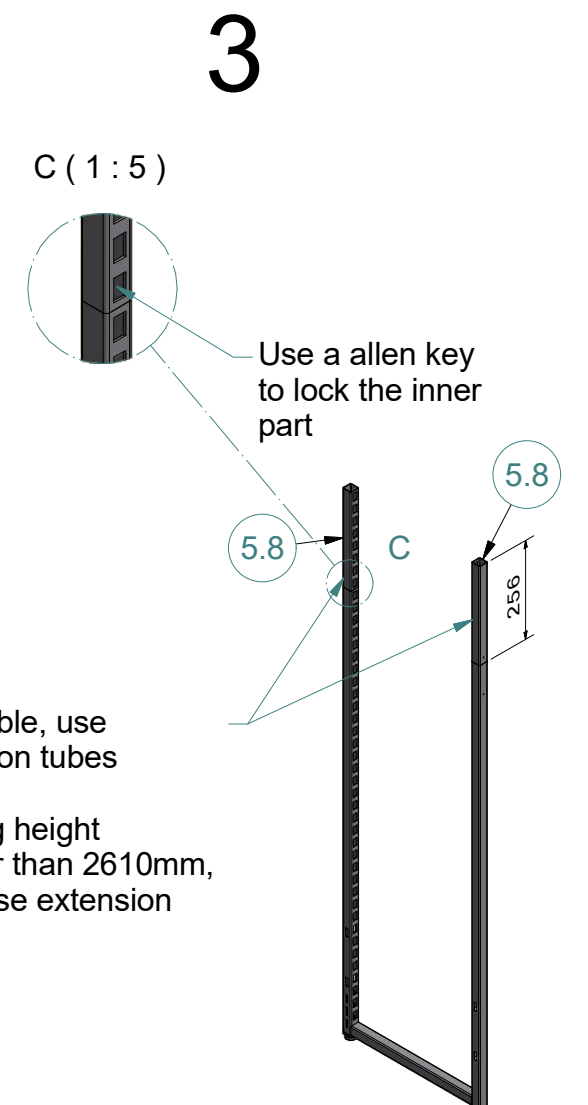
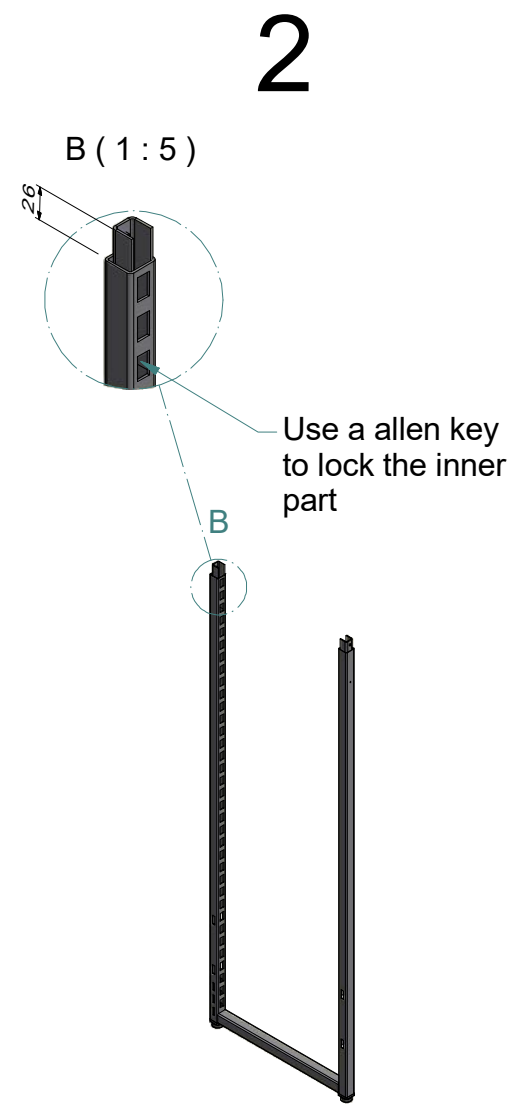
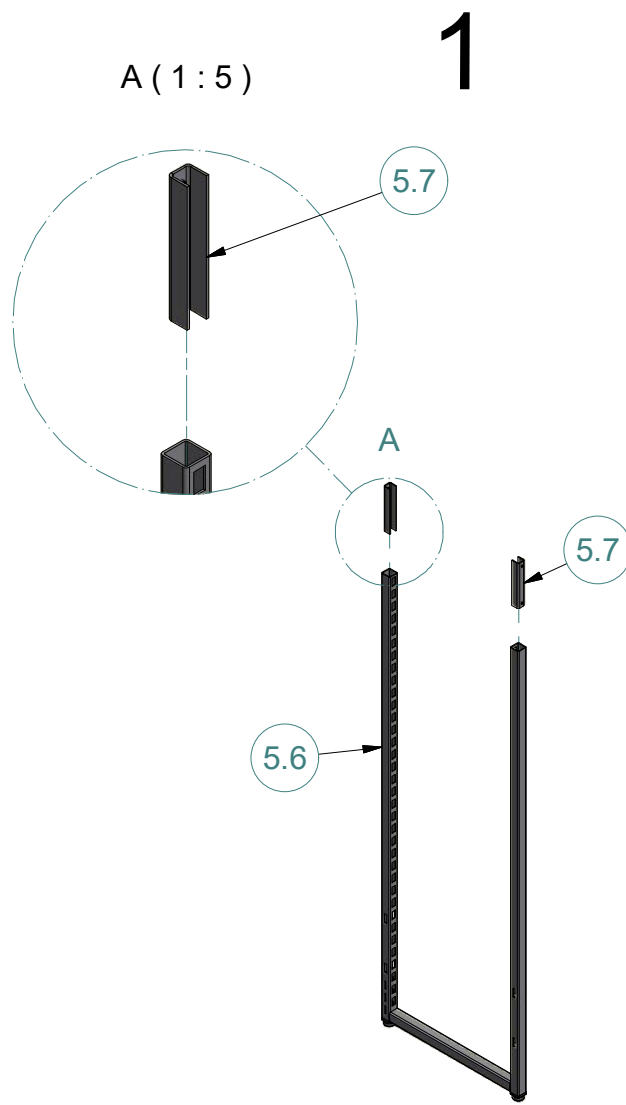
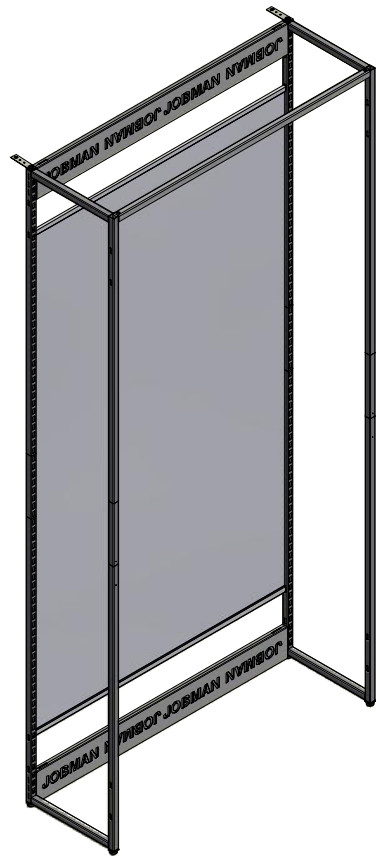


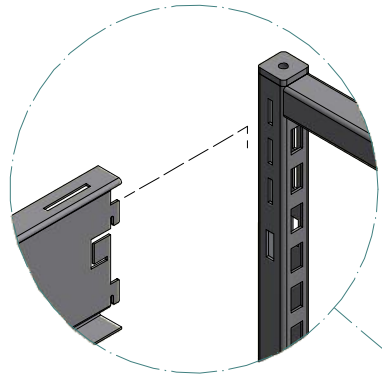
# 274757 - Wall section start

Parts List			
NO.	QTY	DRAW. NO.	DESCRIPTION
1	1	274492	Wall Banner 1200
2	2	274917	Plastic wall bracket
3	2	930050	Allen screw Black M8X20
4	2	901273	Plain washers
5	1	274934	Wall section start Metal
5.1	2	274387	Crossbar 1200
5.2	2	274391	Brand sign 1200
5.3	1	274396	Front cross bar 1200
5.4	2	274542	Metal bracket 1200
5.5	2	274433	U Frame
5.6	2	274448	U-Frame with foots
5.7	8	274710	25x25 tube splicing kit
5.8	4	274563	Extention tube



7

D (1:5)



D

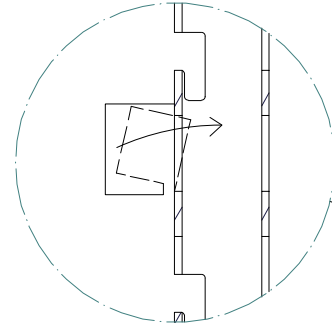
5.1



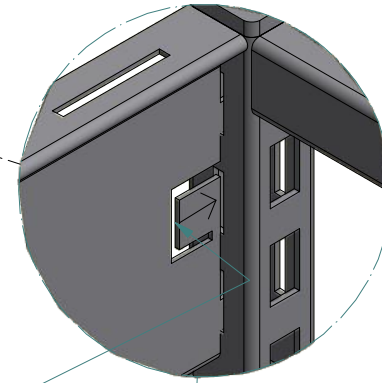
5.1

8

G (1:2)

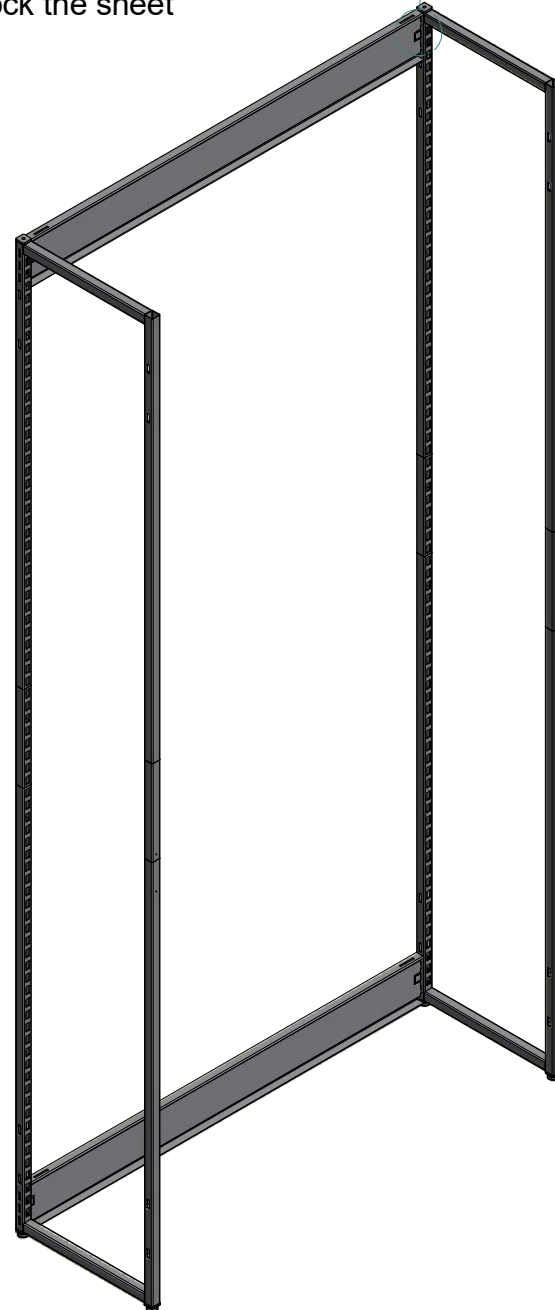


E (1:2)



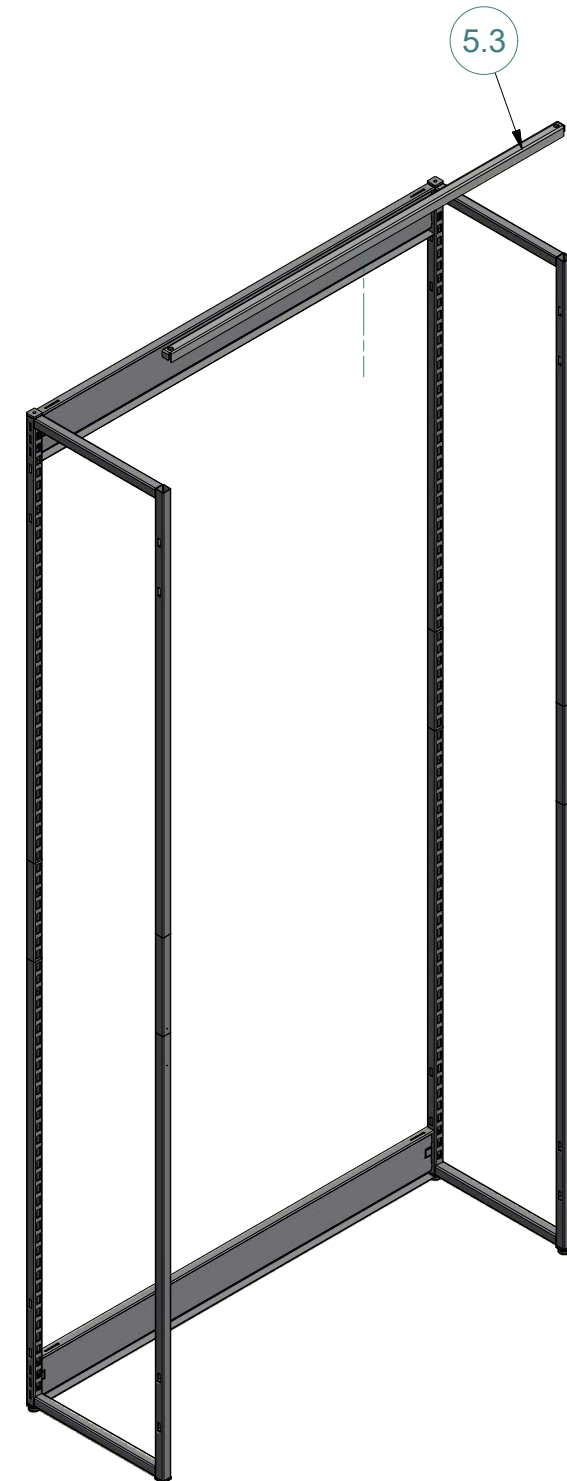
Use a flat screwdriver to bend this part into the track in the steel tube and lock the sheet metal part

E



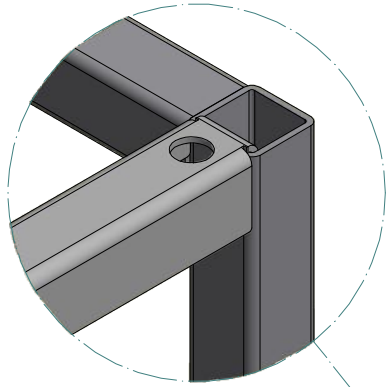
9

5.3



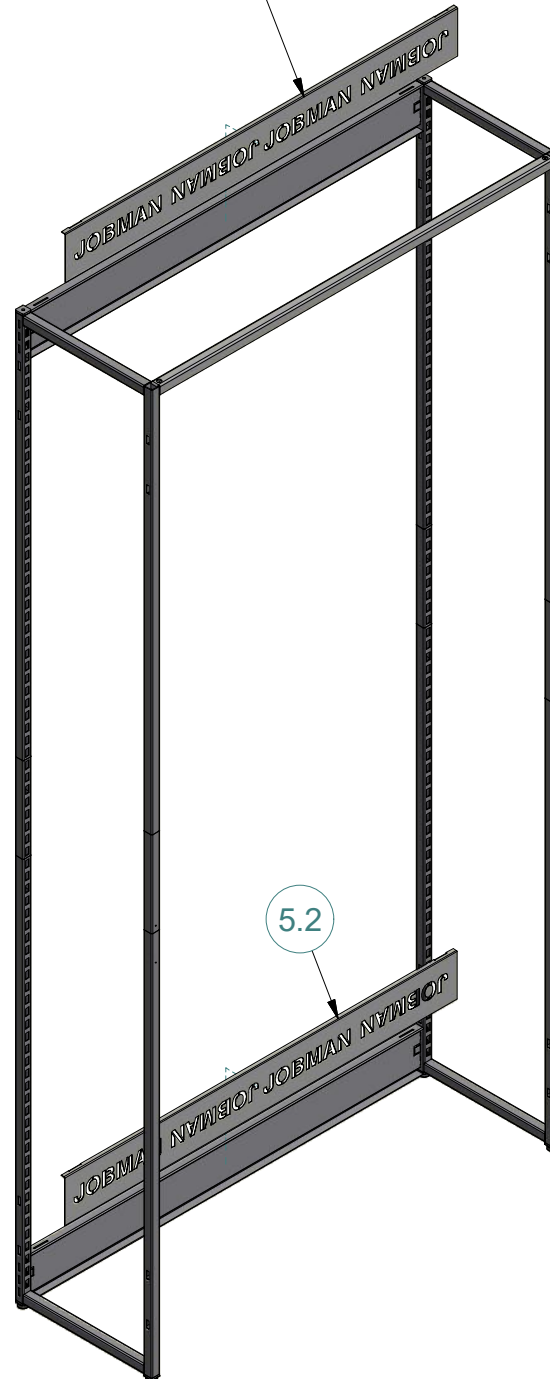
10

H(1:2)



11

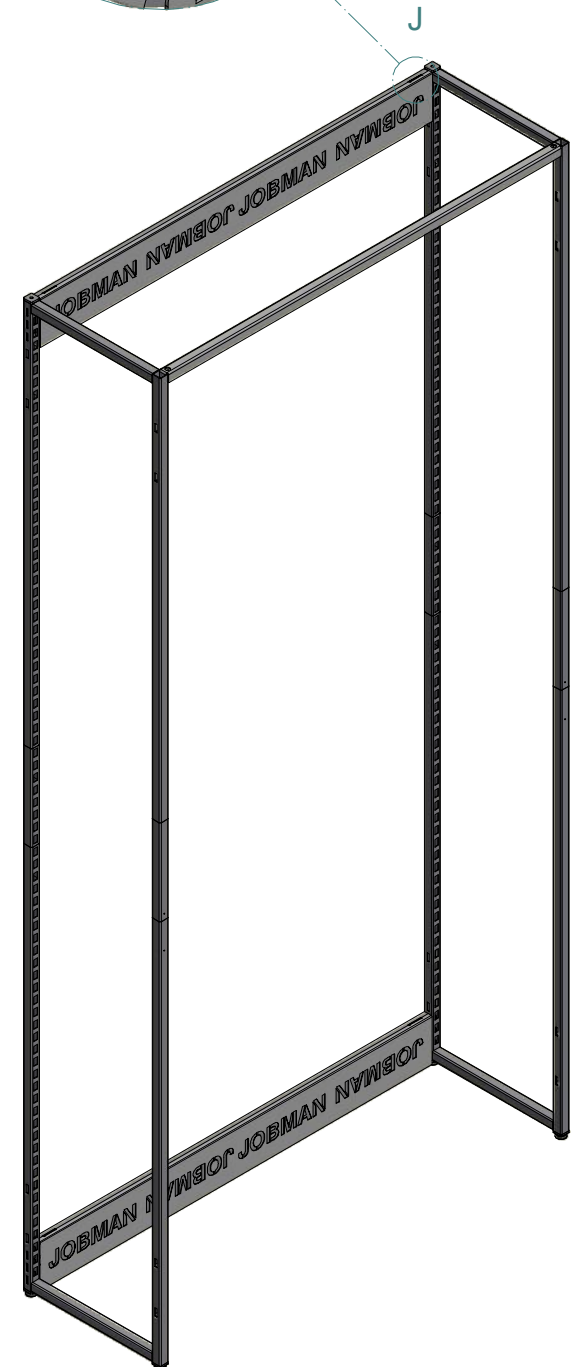
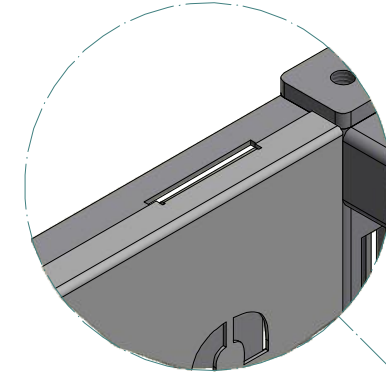
5.2



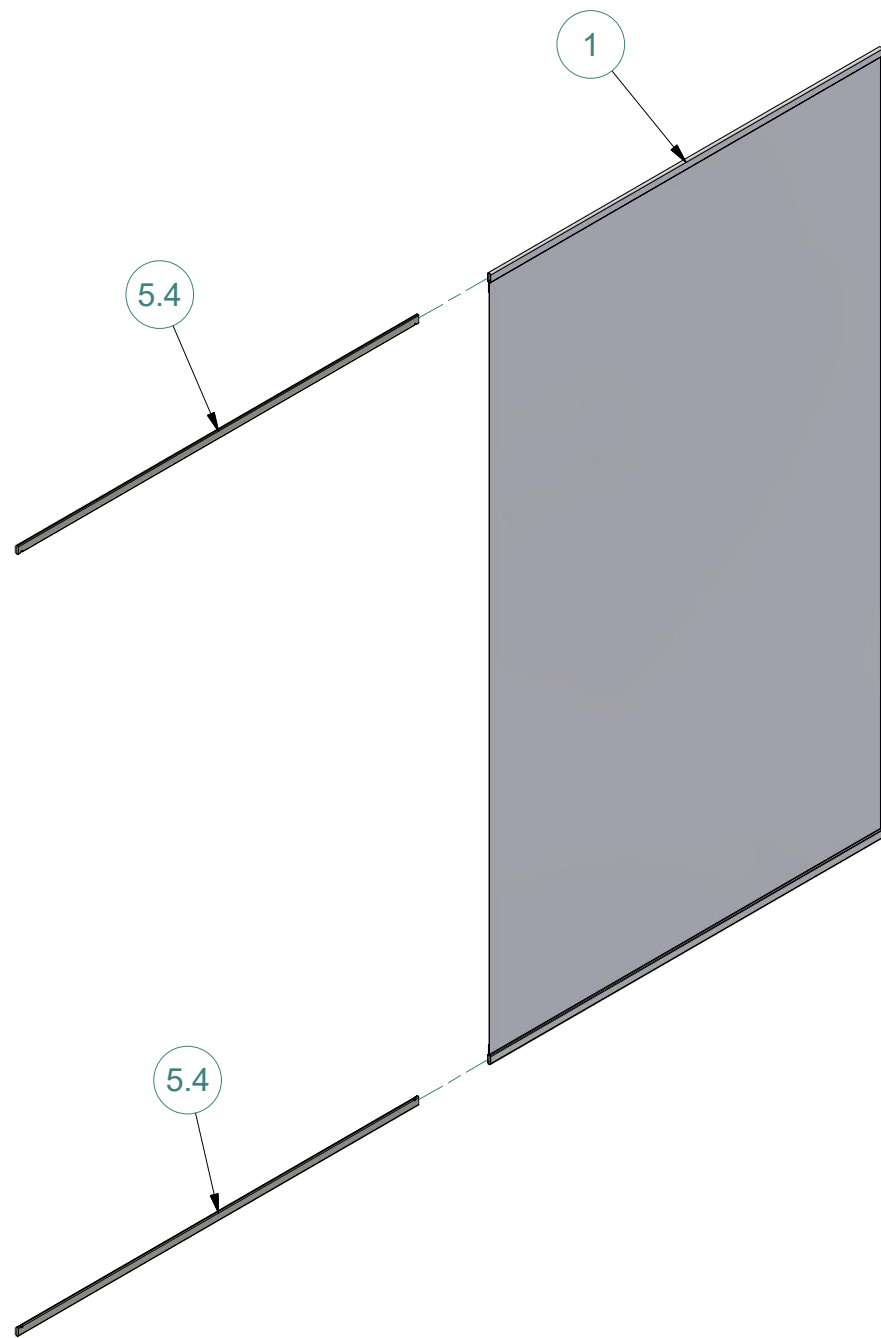
5.2

12

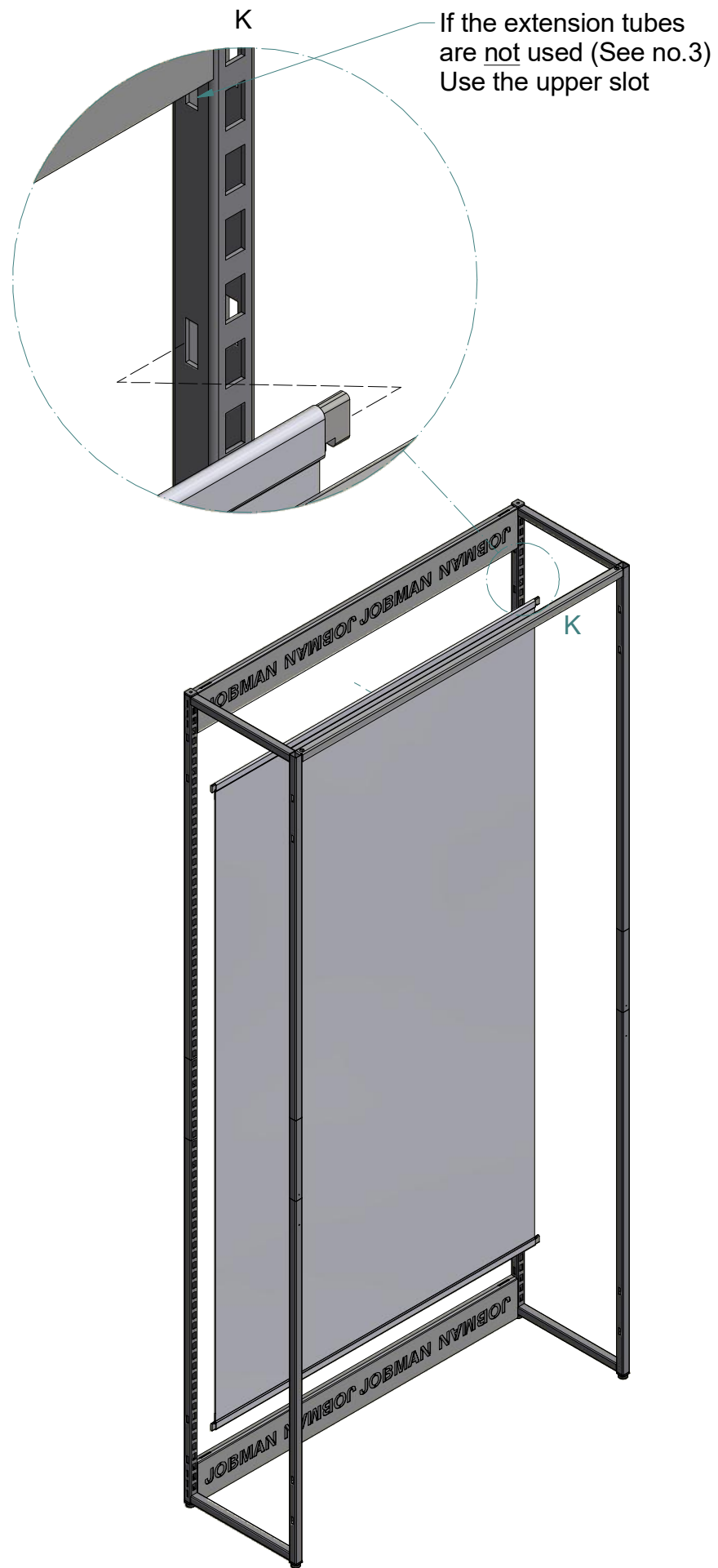
J(1:2)



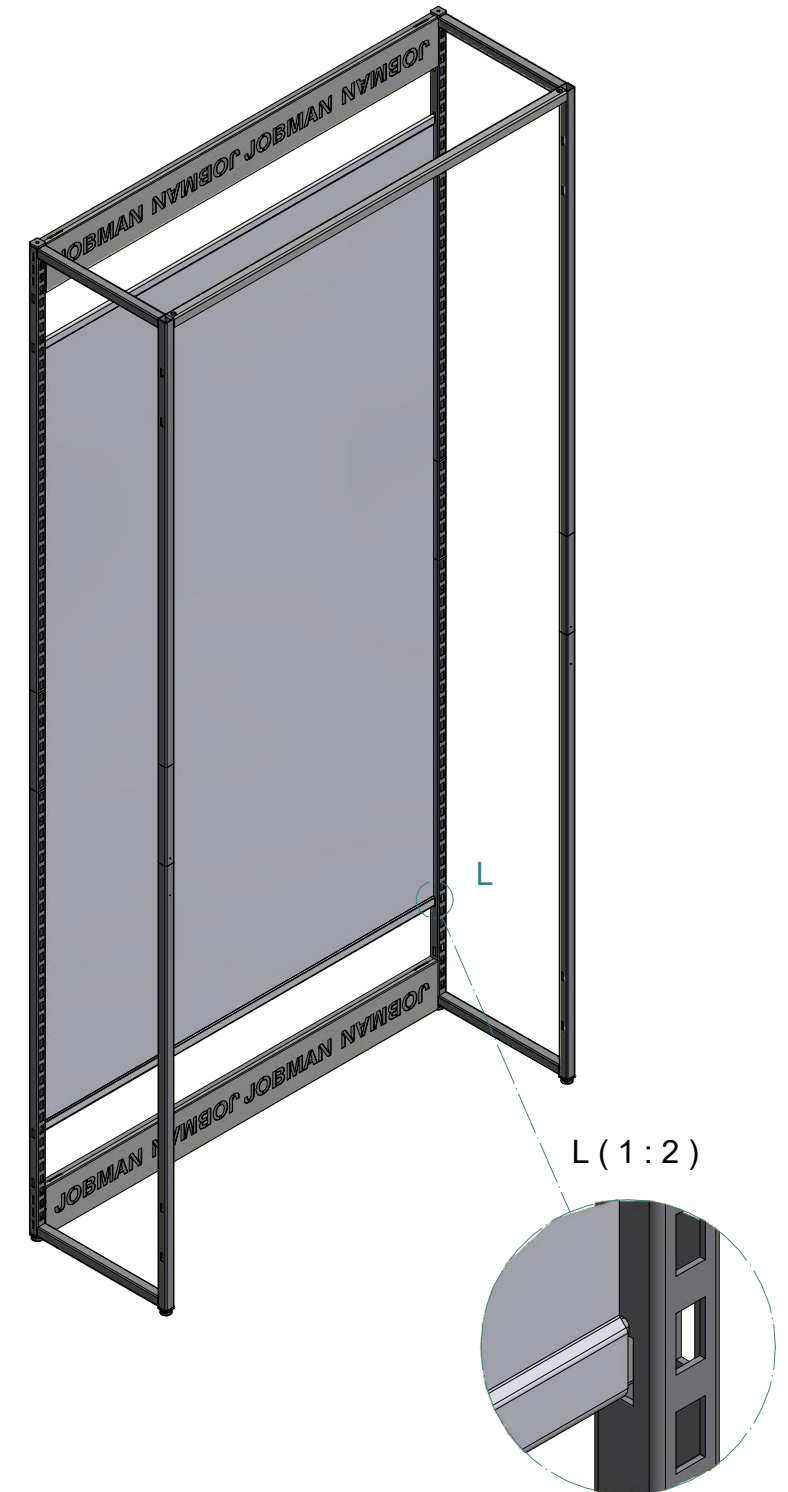
13



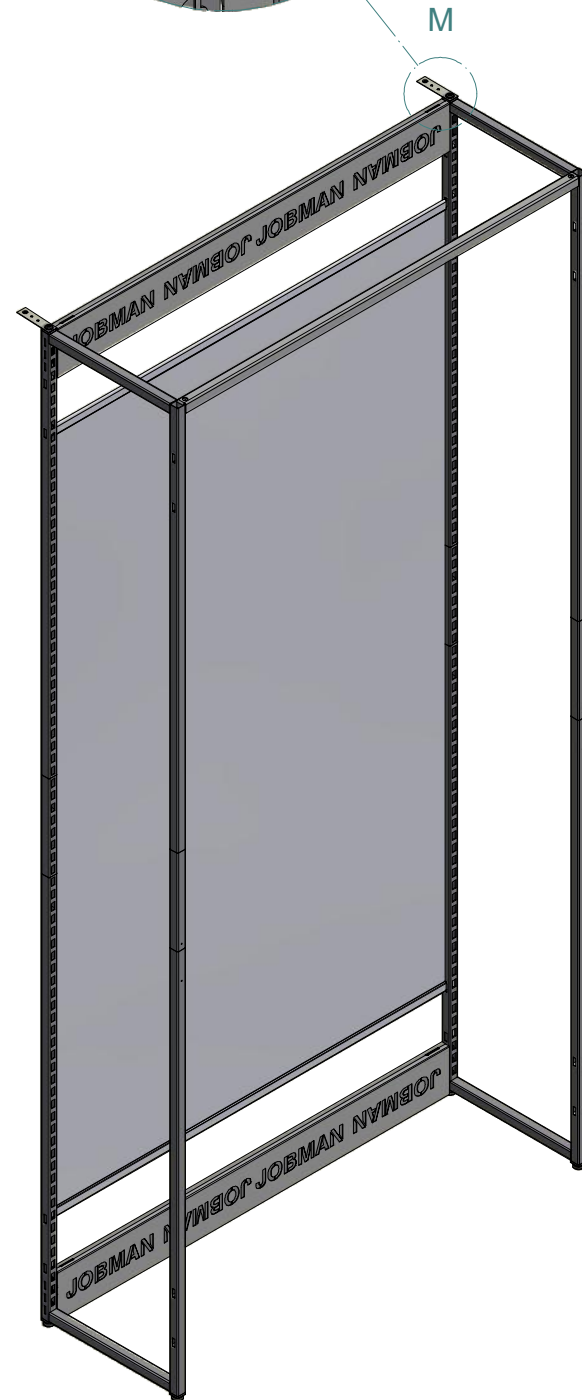
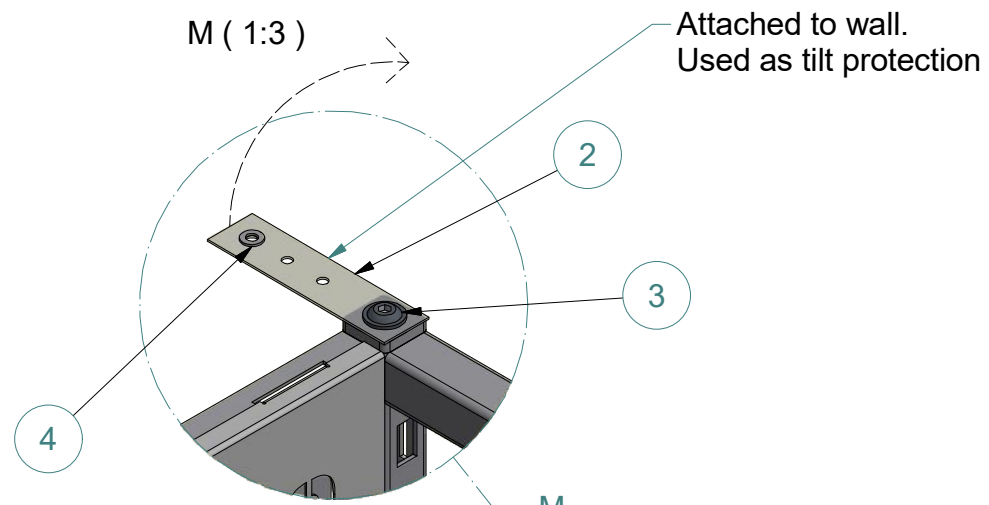
14



15

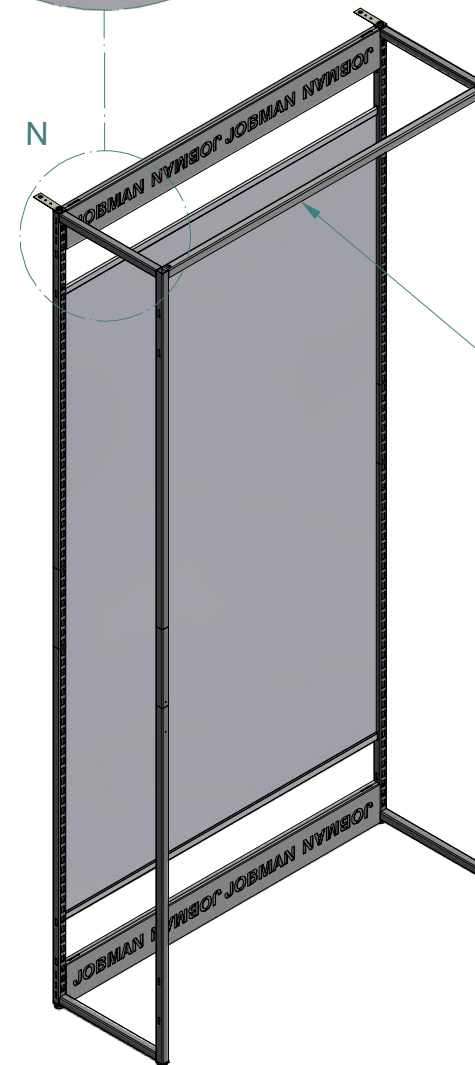
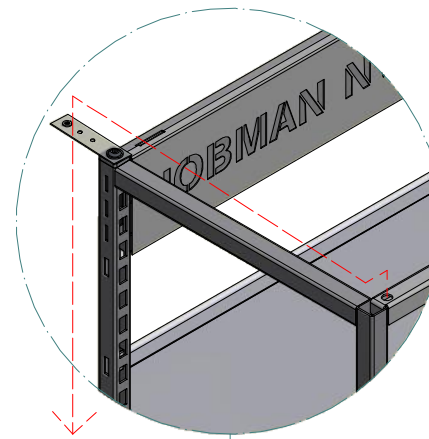


# 16



# Attaching LED-strips

N ( 1 : 8 )  
Cable attached on top and on back of steel tube.  
Driver placed behind the furnishing on the floor



274758 - Wall section following

Parts List			
NO.	QTY	DRAW. NO.	DESCRIPTION
1	1	274492	Wall Banner 1200
2	1	274917	Plastic wall bracket
3	1	930050	Allen screw Black M8X20
4	1	901273	Plain washers
5	1	274935	Wall section following Metal
5.1	2	274387	Crossbar 1200
5.2	2	274391	Brand sign 1200
5.3	1	274396	Front cross bar 1200
5.4	1	274433	U Frame
5.5	1	274448	U-Frame with foots
5.6	2	274542	Metal bracket 1200
5.7	4	274710	25x25 tube splicing kit
5.8	2	274563	Extention tube

